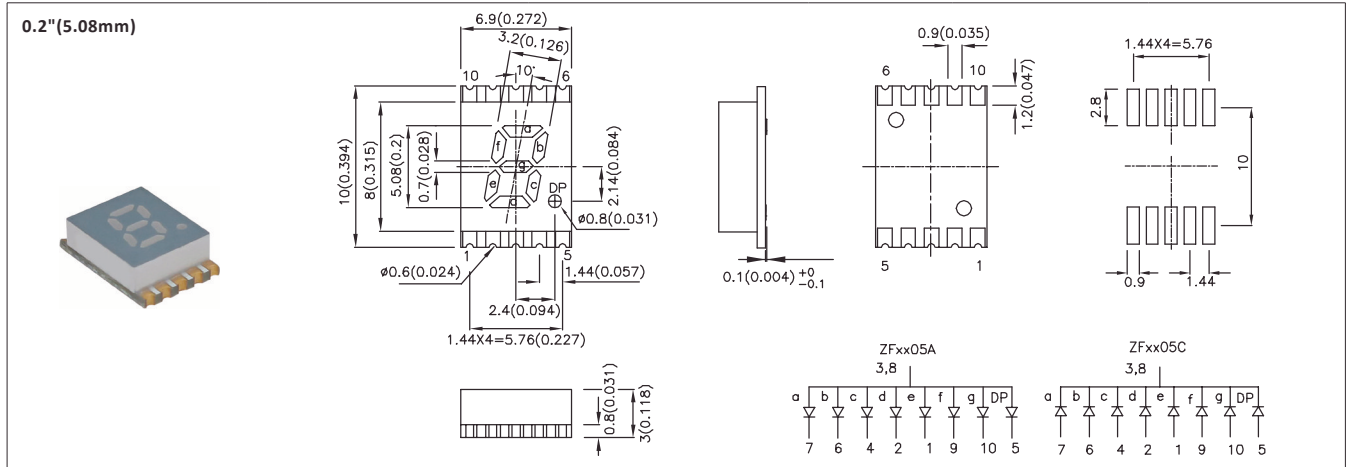
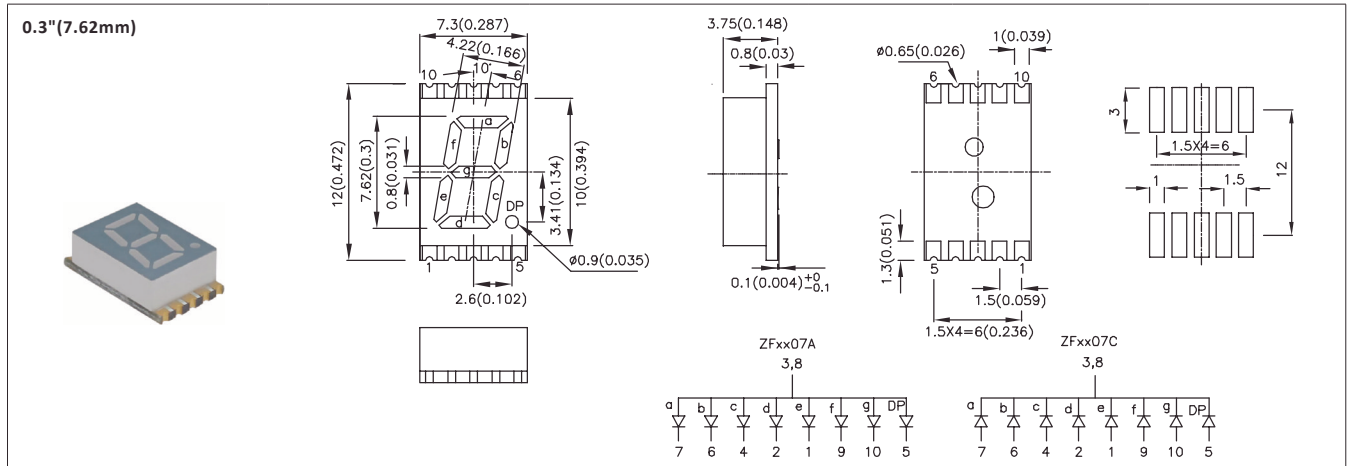


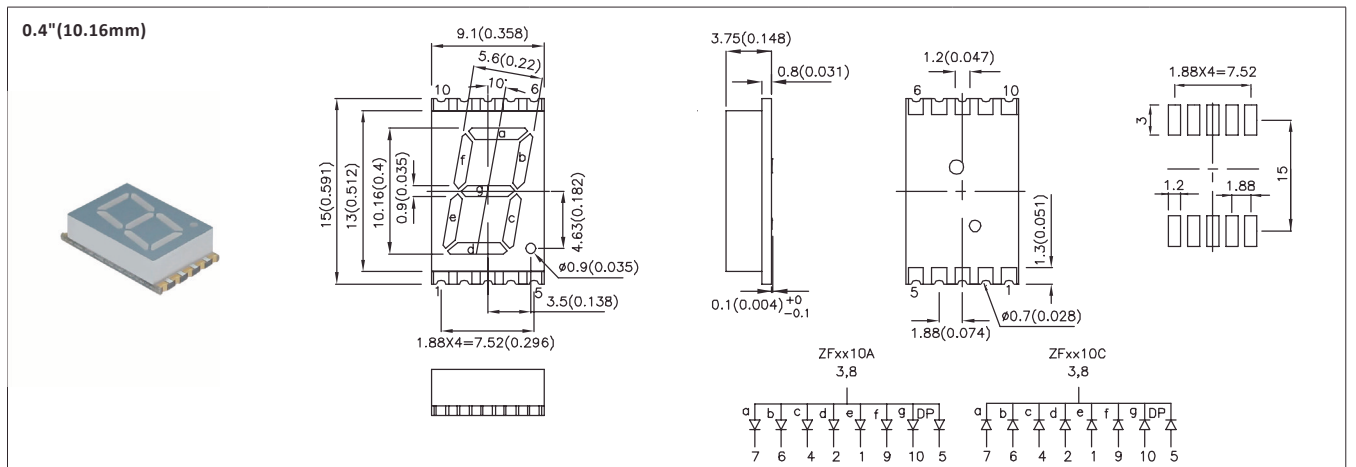
Part Number		Chip Structure (Emitted Color)	Ipeak (nm)	Intensity(ucd) I <sub>v</sub> =10mA	
Common Anode	Common Cathode			Min.	Typ.



ZFMDK05A	ZFMDK05C	◆ AlGaInP(Red)	645	3600	8090
ZFMYK05A	ZFMYK05C	◆ AlGaInP(Yellow)	590	5600	14990
ZFVG05A	ZFVG05C	◆ AlGaInP(Green)	574	2200	4290
ZFBBA05A	ZFBBA05C	◆ InGaN(Blue)	468	2200	4290



ZFMDK07A	ZFMDK07C	◆ AlGaInP(Red)	645	3600	6390
ZFMYK07A	ZFMYK07C	◆ AlGaInP(Yellow)	590	5600	12990
ZFVG07A	ZFVG07C	◆ AlGaInP(Green)	574	1400	3090
ZFBBA07A	ZFBBA07C	◆ InGaN(Blue)	468	1400	2490

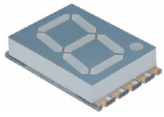
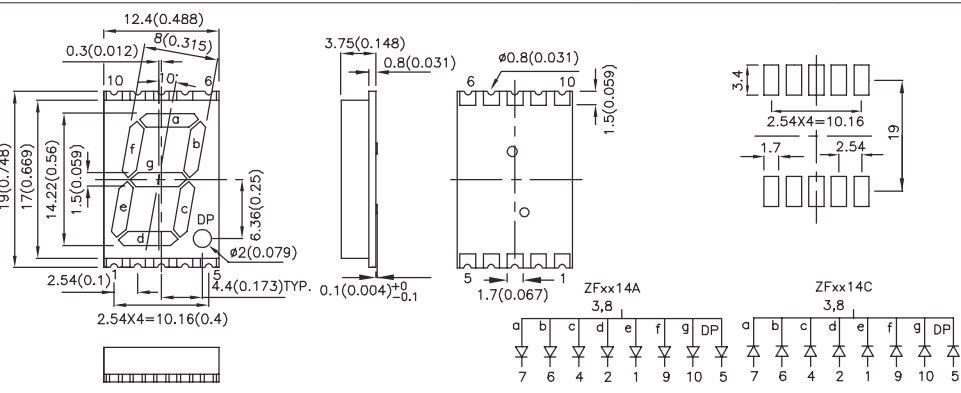


ZFMDK10A	ZFMDK10C	◆ AlGaInP(Red)	645	9000	19990
ZFMYK10A	ZFMYK10C	◆ AlGaInP(Yellow)	590	9000	22990
ZFVG10A	ZFVG10C	◆ AlGaInP(Green)	574	2200	4090
ZFBBA10A	ZFBBA10C	◆ InGaN(Blue)	468	2200	5190

1. Dimension Unit: mm(inches), Tolerance: ±0.25mm (0.01").  
 2. Luminous intensity value and wavelength are in accordance with CIE127-2007 standards.  
 3. We reserve the right to make changes at any time to enhance the design and / or performance of the product.

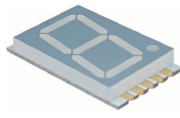
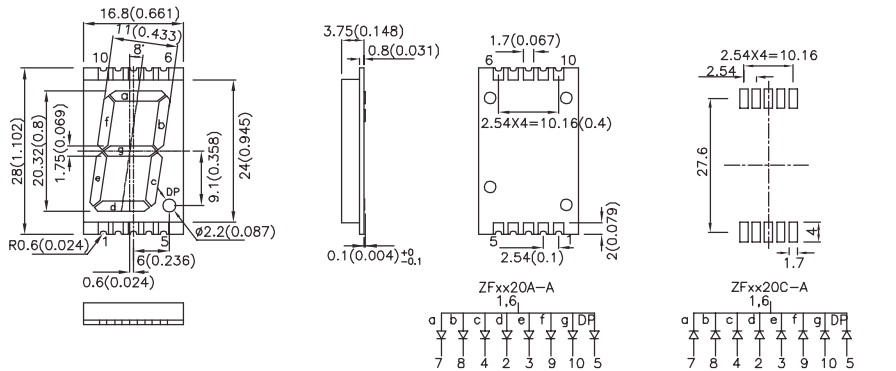
Part Number		Chip Structure (Emitted Color)	λpeak (nm)	Intensity(ucd) I <sub>f</sub> =10mA	
Common Anode	Common Cathode			Min.	Typ.

**0.56" (14.22mm)**

ZFMDK14A	ZFMDK14C	◆ AlGaInP(Red)	645	14000	28990
ZFMYK14A	ZFMYK14C	◆ AlGaInP(Yellow)	590	14000	28990
ZFVG14A	ZFVG14C	◆ AlGaInP(Green)	574	2200	4590
ZFDGK14A	ZFDGK14C	◆ InGaN(Green)	515	21000	50990
ZFCBD14A	ZFCBD14C	◆ InGaN(Blue)	460	5600	14990

**0.8" (20.32mm)**

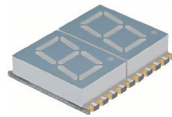
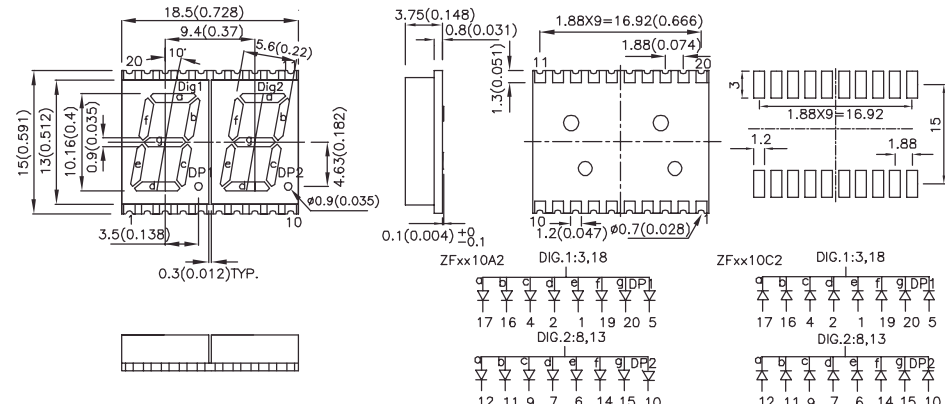



ZFMDK20A-A	ZFMDK20C-A	◆ AlGaInP(Red)	645	5600	11990
ZFMYK20A-A	ZFMYK20C-A	◆ AlGaInP(Yellow)	590	14000	29990
ZFVG20A-A	ZFVG20C-A	◆ AlGaInP(Green)	574	2200	5990
ZFDGK20A-A	ZFDGK20C-A	◆ InGaN(Green)	515	21000	39990
ZFCBD20A-A	ZFCBD20C-A	◆ InGaN(Blue)	460	3600	8690

DUAL DIGIT SMD

Part Number		Chip Structure (Emitted Color)	λpeak (nm)	Intensity(ucd) I <sub>f</sub> =10mA	
Common Anode	Common Cathode			Min.	Typ.

**0.4" (10.16mm)**

ZFMDK10A2	ZFMDK10C2	◆ AlGaInP(Red)	645	9000	19990
ZFMYK10A2	ZFMYK10C2	◆ AlGaInP(Yellow)	590	9000	22990
ZFVG10A2	ZFVG10C2	◆ AlGaInP(Green)	574	2200	4090
ZFBBA10A2	ZFBBA10C2	◆ InGaN(Blue)	468	2200	5190

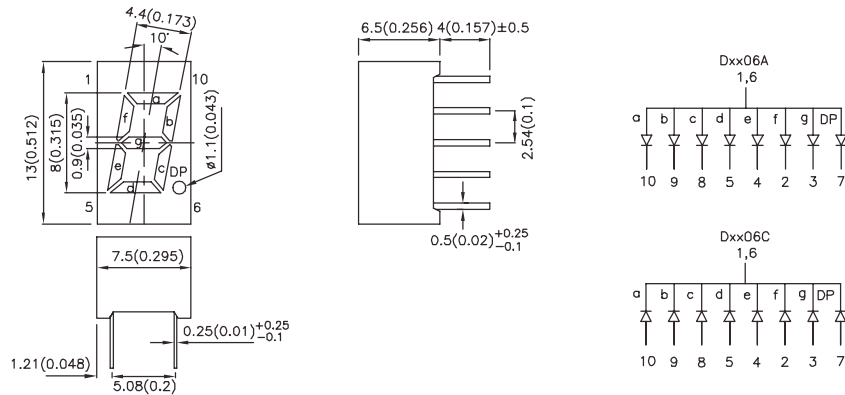
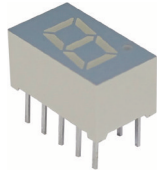
1. Dimension Unit: mm(inches). Tolerance: ±0.25mm (0.01").  
 2. Luminous intensity value and wavelength are in accordance with CIE127-2007 standards.  
 3. We reserve the right to make changes at any time to enhance the design and / or performance of the product.





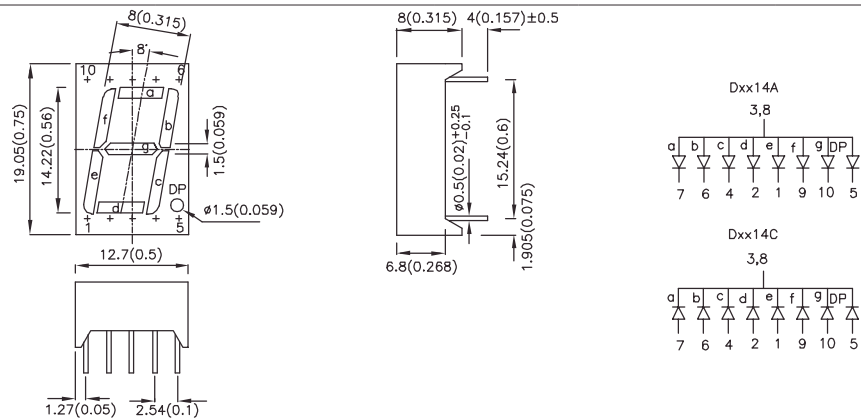
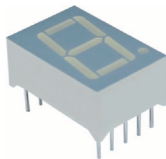
Part Number		Chip Structure (Emitted Color)	λpeak (nm)	Intensity(ucd) I <sub>f</sub> =10mA	
Common Anode	Common Cathode			Min.	Typ.

0.32"(8mm)



DUR06A	DUR06C	◆ GaAsP/GaP(Red)	627	1400	3290
DMR06A	DMR06C	◆ GaAlAs(Red)	655	5600	9990
DUY06A	DUY06C	◆ GaAsP/GaP(Yellow)	590	900	1690
DUG06A	DUG06C	◆ GaP(Green)	565	1400	2490

0.56"(14.22mm)

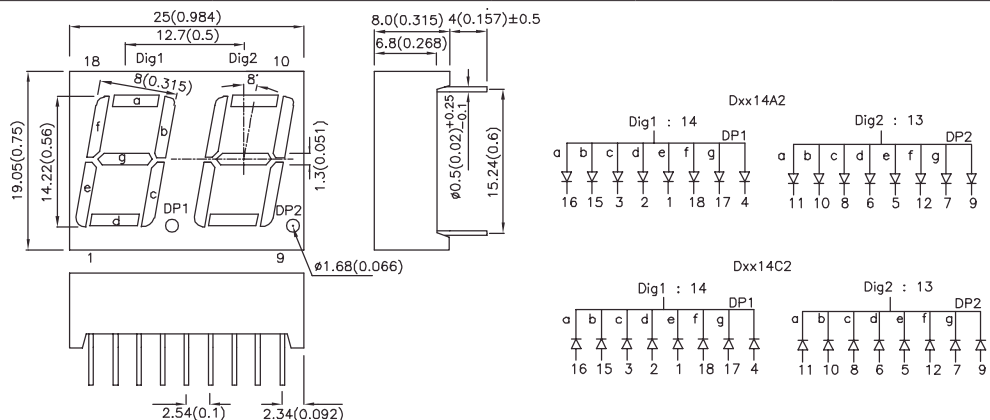
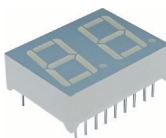


DMDK14A	DMDK14C	◆ AlGaInP(Red)	645	14000	26990
DMYK14A	DMYK14C	◆ AlGaInP(Yellow)	590	21000	47990
DVG14A	DVG14C	◆ AlGaInP(Green)	574	5600	11990
DCBD14A	DCBD14C	◆ InGaN(Blue)	460	9000	23990

DUAL DIGIT

Part Number		Chip Structure (Emitted Color)	λpeak (nm)	Intensity(ucd) I <sub>f</sub> =10mA	
Common Anode	Common Cathode			Min.	Typ.

0.56"(14.22mm)



DMDK14A2	DMDK14C2	◆ AlGaInP(Red)	645	9000	23990
DMYK14A2	DMYK14C2	◆ AlGaInP(Yellow)	590	21000	39990
DVG14A2	DVG14C2	◆ AlGaInP(Green)	574	5600	11990

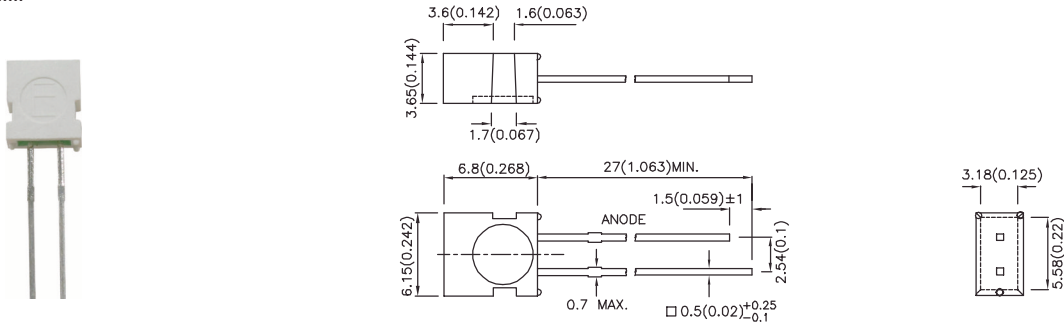
1. Dimension Unit: mm(inches), Tolerance: ±0.25mm (0.01").  
 2. Luminous intensity value and wavelength are in accordance with CIE127-2007 standards.  
 3. We reserve the right to make changes at any time to enhance the design and / or performance of the product.





Part Number	Chip Structure (Emitted Color)	λpeak (nm)	Intensity(mcd) I <sub>f</sub> =10mA,20mA*		Viewing Angle 2θ1/2	Lens
			Min.	Typ.		

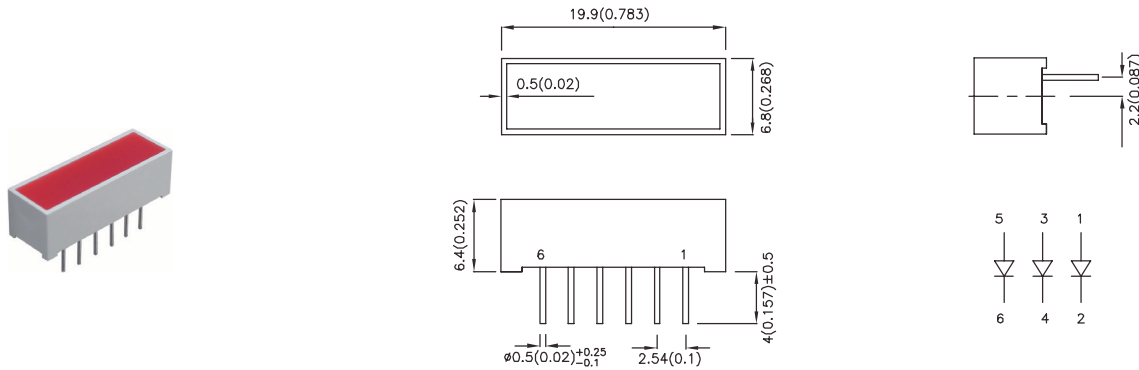
3.65x6.15mm



EUR21D	◆ GaAsP/GaP(Red)	627	2	3.8	140°	Red Diffused
EMR21D	◆ GaAlAs(Red)	655	*20	*49	140°	Red Diffused
EUY21D	◆ GaAsP/GaP(Yellow)	590	2	4.8	140°	Yellow Diffused
EMG21D	◆ GaP(Green)	565	*8	*15	140°	Green Diffused

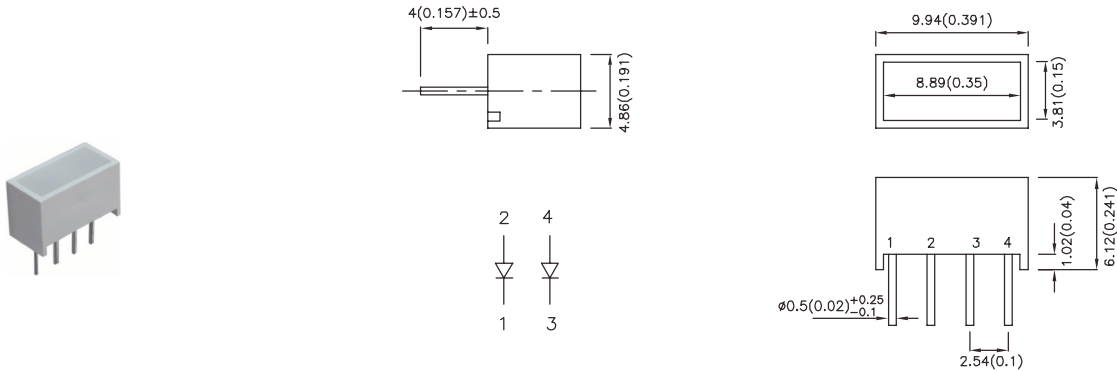
Part Number	Chip Structure (Emitted Color)	λpeak (nm)	Intensity(mcd) I <sub>f</sub> =10mA,20mA*		Lens
			Min.	Typ.	

6.8x19.9mm



EUR30D	◆ GaAsP/GaP(Red)	627	3.6	8	Red Diffused
EMR30D	◆ GaAlAs(Red)	655	*40	*74	Red Diffused
EUY30D	◆ GaAsP/GaP(Yellow)	590	3.6	9	Yellow Diffused
EMG30D	◆ GaP(Green)	565	*8	*19	Green Diffused

8.89x3.81mm



EUR2300M	◆ GaAsP/GaP(Red)	627	*5	*9	White Diffused
EMRA100M	◆ GaAlAs(Red)	655	*12	*29	White Diffused
EUY2400M	◆ GaAsP/GaP(Yellow)	590	*3	*7	White Diffused
EMG2500D	◆ GaP(Green)	565	*5	*9	Green Diffused

1. Dimension Unit: mm(inches), Tolerance: ±0.25mm (0.01").  
 2. Luminous intensity value and wavelength are in accordance with CIE127-2007 standards.  
 3. We reserve the right to make changes at any time to enhance the design and / or performance of the product.

