
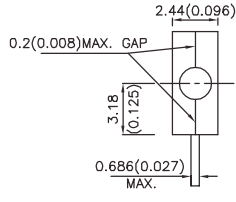
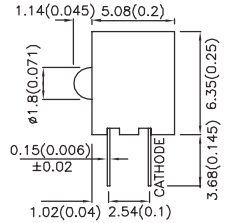

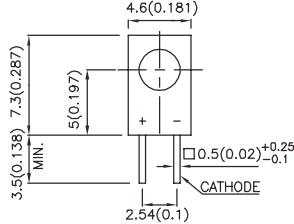
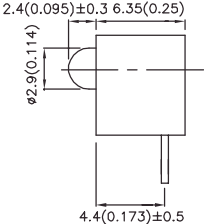

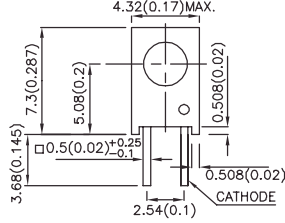
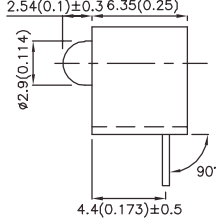

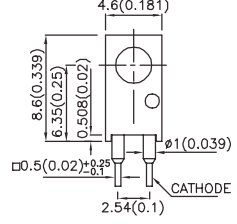
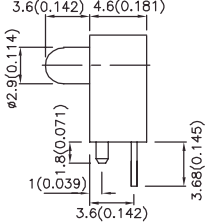

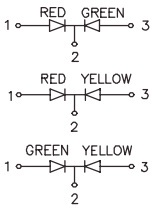
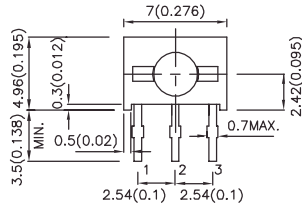
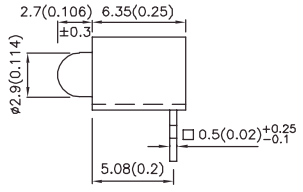


Part Number	Chip Structure (Emitted Color)	λpeak (nm)	Intensity(mcd) I <sub>v</sub> =10mA,20mA*		Viewing Angle 2θ1/2	Lens
			Min.	Typ.		
<b>1.8mm</b>   						
NH1ZUR46D	◆ GaAsP/GaP(Red)	627	*8	*15	40°	Red Diffused
NH1ZUY46D	◆ GaAsP/GaP(Yellow)	590	*5	*9	40°	Yellow Diffused
NH1ZMG46D	◆ GaP(Green)	565	*5	*11	40°	Green Diffused

<b>3mm</b>   						
VB1LUR11D	◆ GaAsP/GaP(Red)	627	10	19	50°	Red Diffused
VB1LUY11D	◆ GaAsP/GaP(Yellow)	590	8	14	50°	Yellow Diffused
VB1LUG11D	◆ GaP(Green)	565	10	24	50°	Green Diffused

<b>3mm</b>   						
NK1LUR11D	◆ GaAsP/GaP(Red)	627	10	19	50°	Red Diffused
NK1LUY11D	◆ GaAsP/GaP(Yellow)	590	8	14	50°	Yellow Diffused
NK1LUG11D	◆ GaP(Green)	565	10	24	50°	Green Diffused


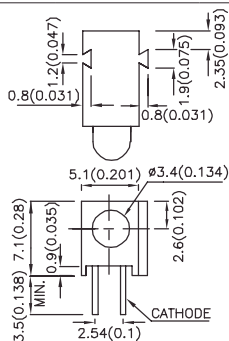
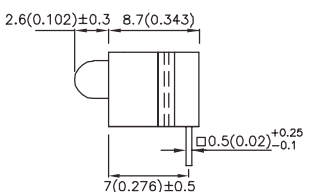
<b>3mm</b>   						
PV1LUR11D	◆ GaAsP/GaP(Red)	627	10	19	50°	Red Diffused
PV1LUY11D	◆ GaAsP/GaP(Yellow)	590	8	14	50°	Yellow Diffused
PV1LUG11D	◆ GaP(Green)	565	10	24	50°	Green Diffused

<b>3mm (Bi-Color)</b>    						
NN1LUGR86M	◆ GaAsP/GaP(Red)	627	*10	*23	60°	White Diffused
	◆ GaP(Green)	565	*12	*29		
NN1LUYR86M	◆ GaAsP/GaP(Red)	627	*10	*23	60°	White Diffused
	◆ GaAsP/GaP(Yellow)	590	*10	*19		
NN1LUGY86M	◆ GaP(Green)	565	*18	*39	60°	White Diffused
	◆ GaAsP/GaP(Yellow)	590	*10	*19		

1. Dimension Unit: mm(inches), Tolerance: ±0.25mm (0.01").  
 2. Luminous intensity value and wavelength are in accordance with CIE127-2007 standards.  
 3. We reserve the right to make changes at any time to enhance the design and / or performance of the product.


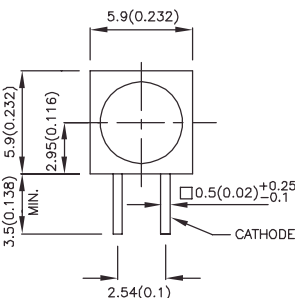
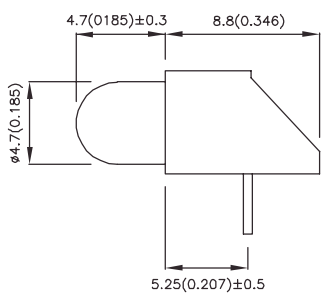
Part Number	Chip Structure (Emitted Color)	Ipeak (nm)	Intensity(mcd) I <sub>v</sub> =10mA,20mA*		Viewing Angle 2θ1/2	Lens
			Min.	Typ.		

**3.4mm (Interlocking)**

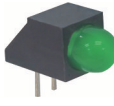
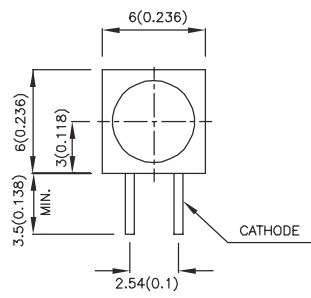
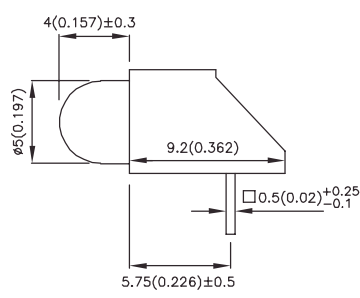
PT1LUR41D	◆ GaAsP/GaP(Red)	627	8	15	60°	Red Diffused
PT1LUY41D	◆ GaAsP/GaP(Yellow)	590	8	14	60°	Yellow Diffused
PT1LUG41D	◆ GaP(Green)	565	10	19	60°	Green Diffused

**4.7mm**


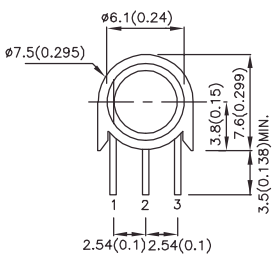
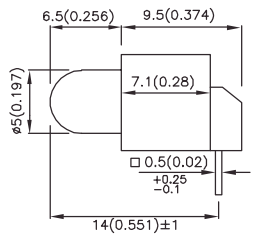
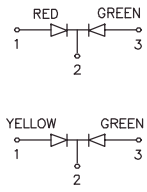
VR1LUR69D	◆ GaAsP/GaP(Red)	627	12	29	30°	Red Diffused
VR1LUY69D	◆ GaAsP/GaP(Yellow)	590	15	39	30°	Yellow Diffused
VR1LUG69D	◆ GaP(Green)	565	20	49	30°	Green Diffused

**5mm**

VB1LUR50D	◆ GaAsP/GaP(Red)	627	12	39	30°	Red Diffused
VB1LUY50D	◆ GaAsP/GaP(Yellow)	590	15	29	30°	Yellow Diffused
VB1LUG50D	◆ GaP(Green)	565	15	29	30°	Green Diffused

**5mm (Bi-Color)**


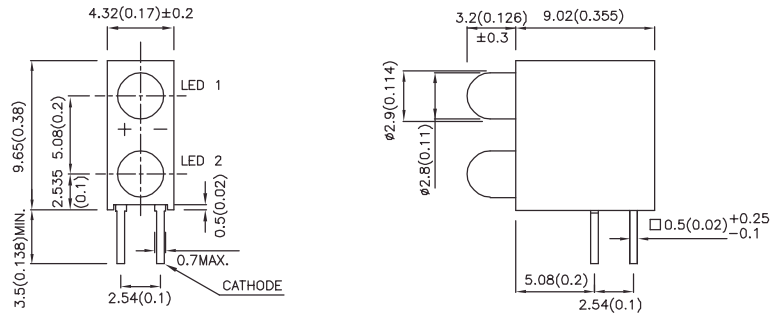
VB1LUGR59M	◆ GaAsP/GaP(Red)	627	*20	*39	30°	White Diffused
	◆ GaP(Green)	565	*20	*59		
VB1LUYG59M	◆ GaP(Green)	565	*18	*39	30°	White Diffused
	◆ GaAsP/GaP(Yellow)	590	*20	*59		

1. Dimension Unit: mm(inches), Tolerance: ±0.25mm (0.01")  
 2. Luminous intensity value and wavelength are in accordance with CIE127-2007 standards.  
 3. We reserve the right to make changes at any time to enhance the design and / or performance of the product.



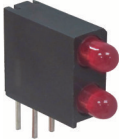
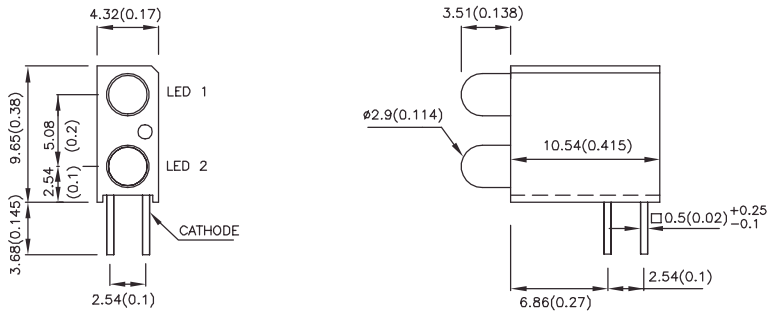
Part Number	Chip Structure (Emitted Color)	λpeak (nm)	Intensity(mcd) I <sub>v</sub> =10mA,20mA*		Viewing Angle 2θ1/2	Lens
			Min	Typ		

**3mm**


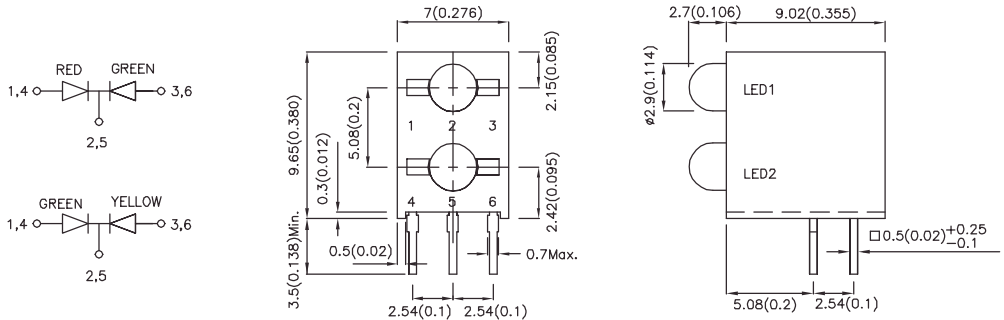
VG2LUR11D	◆ GaAsP/GaP(Red)	627	10	19	50°	Red Diffused
VG2LUY11D	◆ GaAsP/GaP(Yellow)	590	8	14	50°	Yellow Diffused
VG2LUG11D	◆ GaP(Green)	565	10	24	50°	Green Diffused

**3mm**

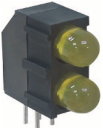
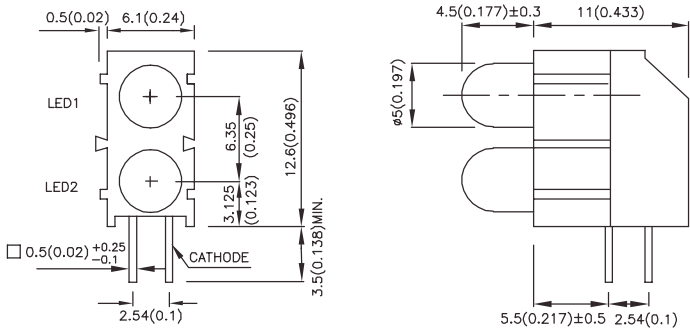
PF2LUR11D	◆ GaAsP/GaP(Red)	627	10	19	50°	Red Diffused
PF2LUY11D	◆ GaAsP/GaP(Yellow)	590	8	14	50°	Yellow Diffused
PF2LUG11D	◆ GaP(Green)	565	10	24	50°	Green Diffused

**3mm (Bi-Color)**

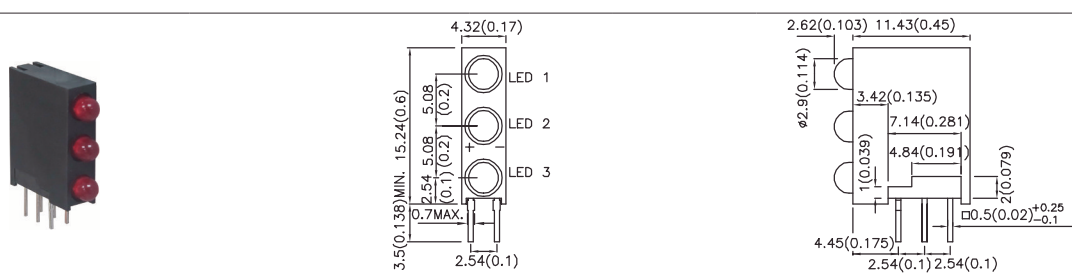
VO2LUGR86M	◆ GaAsP/GaP(Red)	627	*10	*23	60°	White Diffused
	◆ GaP(Green)	565	*12	*29		
VO2LUGY86M	◆ GaP(Green)	565	*18	*39	60°	White Diffused
	◆ GaAsP/GaP(Yellow)	590	*10	*19		

**5mm (Interlocking)**

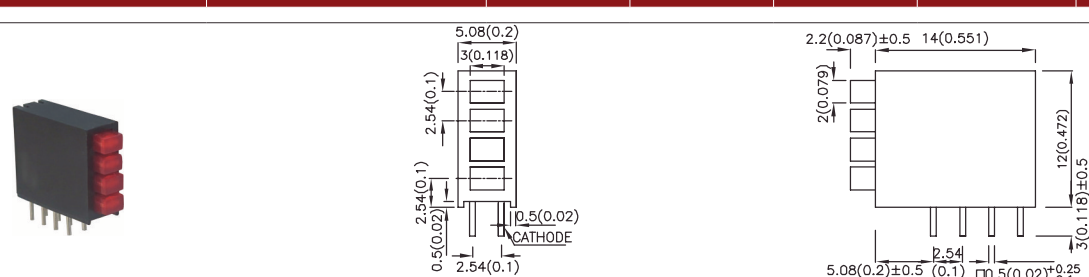



VH2LUR50D	◆ GaAsP/GaP(Red)	627	12	39	30°	Red Diffused
VH2LUY50D	◆ GaAsP/GaP(Yellow)	590	15	29	30°	Yellow Diffused
VH2LUG50D	◆ GaP(Green)	565	15	29	30°	Green Diffused

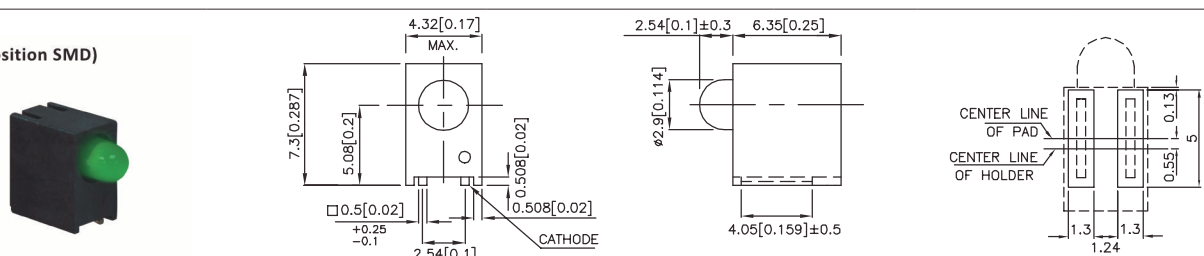
1. Dimension Unit: mm(inches). Tolerance: ±0.25mm (0.01").  
 2. Luminous intensity value and wavelength are in accordance with CIE127-2007 standards.  
 3. We reserve the right to make changes at any time to enhance the design and / or performance of the product.

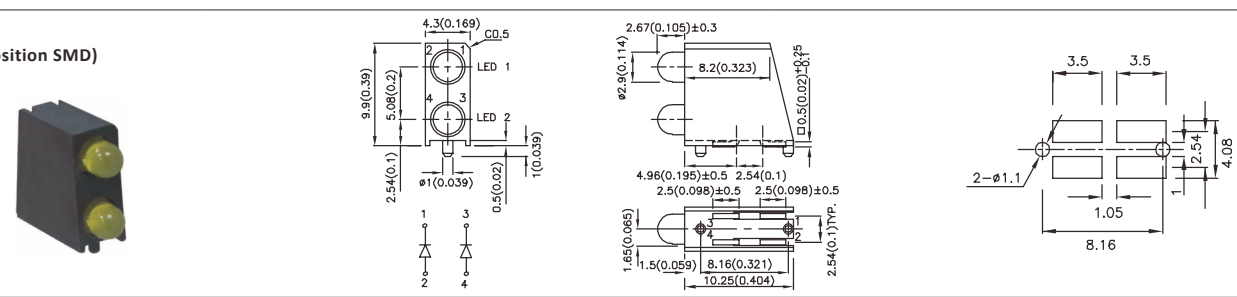
Part Number	Chip Structure (Emitted Color)	Ipeak (nm)	Intensity(mcd) I <sub>f</sub> =10mA		Viewing Angle 2θ1/2	Lens
			Min.	Typ.		
<p><b>3mm</b></p> 						
PZ3LUR11D	◆ GaAsP/GaP(Red)	627	10	19	50°	Red Diffused
PZ3LUY11D	◆ GaAsP/GaP(Yellow)	590	8	14	50°	Yellow Diffused
PZ3LUG11D	◆ GaP(Green)	565	10	24	50°	Green Diffused

FOUR POSITION

Part Number	Chip Structure (Emitted Color)	Ipeak (nm)	Intensity(mcd) I <sub>f</sub> =10mA		Viewing Angle 2θ1/2	Lens
			Min.	Typ.		
<p><b>2x3mm</b></p> 						
VX4SUR36D	◆ GaAsP/GaP(Red)	627	1.2	3.8	140°	Red Diffused
VX4SUY36D	◆ GaAsP/GaP(Yellow)	590	1.5	3.8	140°	Yellow Diffused
VX4SUG36D	◆ GaP(Green)	565	3	5	140°	Green Diffused

SMD CBI

Part Number	Chip Structure (Emitted Color)	Ipeak (nm)	Intensity(mcd) I <sub>f</sub> =10mA		Viewing Angle 2θ1/2	Lens
			Min.	Typ.		
<p><b>3mm (One-Position SMD)</b></p> 						
NK1LUR11DSMD	◆ GaAsP/GaP(Red)	627	10	19	50°	Red Diffused
NK1LUY11DSMD	◆ GaAsP/GaP(Yellow)	590	8	14	50°	Yellow Diffused
NK1LUG11DSMD	◆ GaP(Green)	565	10	24	50°	Green Diffused

<p><b>3mm (Two-Position SMD)</b></p> 						
RS2LUR11D	◆ GaAsP/GaP(Red)	627	10	19	50°	Red Diffused
RS2LUY11D	◆ GaAsP/GaP(Yellow)	590	8	14	50°	Yellow Diffused
RS2LUG11D	◆ GaP(Green)	565	10	24	50°	Green Diffused

1. Dimension Unit: mm(inches). Tolerance: ±0.25mm (0.01").  
 2. Luminous intensity value and wavelength are in accordance with CIE127-2007 standards.  
 3. We reserve the right to make changes at any time to enhance the design and / or performance of the product.